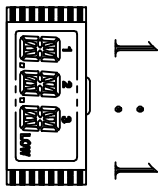
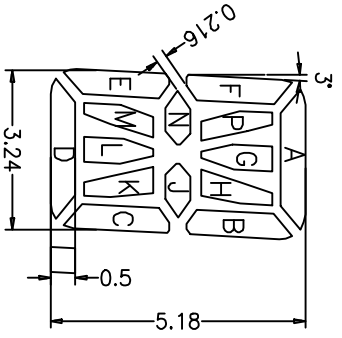
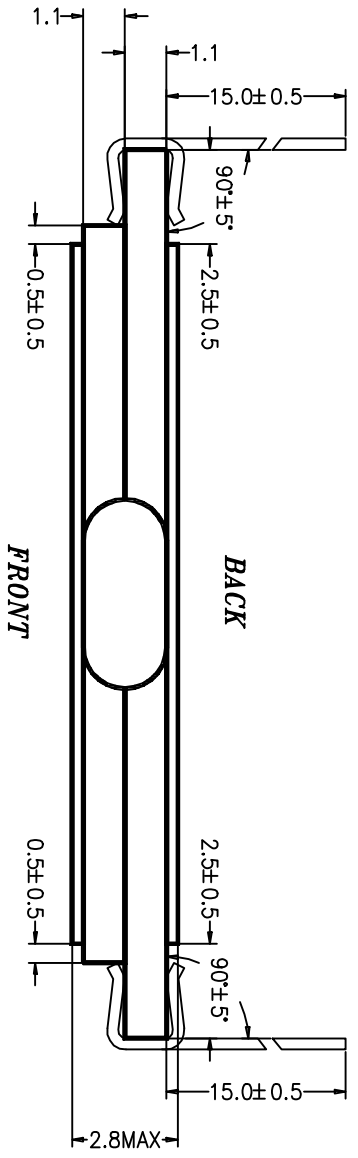


PIN	COM1	COM2	COM3	COM4
1	COM1	--	--	--
2	--	COM2	--	--
3	--	--	COM3	--
4	--	--	--	COM4
5	1F	1N	1M	1E
6	1P	1G	1L	1D
7	1A	1H	1J	1K
8	DP1	1I	1B	1C
9	2F	2N	2M	2E
10	2P	2G	2L	2D
11	2A	2H	2J	2K
12	DP2	2I	2B	2C
13	3F	3N	3M	3E
14	3P	3G	3L	3D
15	3A	3H	3J	3K
16	LOW	3I	3B	3C



NOTES:

1. STRONG VIEWING DIRECTION: 6 O'CLOCK
2. V-OP: 3.0 V
3. DRIVE METHOD: 1/4 DUTY; 1/3 BIAS
4. OPERATING TEMP.: 0°C TO 50°C
5. STORAGE TEMP.: -10°C TO 60°C
6. POLARIZER: REFLECTIVE / POSITIVE
7. DISPLAY TYPE: TN



D.G. ELECTRONICS LTD.

LCD NO.	CUSTOMER NO.	SHEET NO.	SCALE
DG09122	--	1 OF 1	5 : 1
APPROVED BY	CHECKED BY	DESIGNED BY	DRAWN BY
			DATE
			2009-08-11