



Lead-Free Products



ISO9001:2000

→ [新产品\(307.20KHZ晶体\)](#)

→ [音叉晶体 \(KHZ晶体\)](#)

→ [高频晶体 \(Mhz晶体\)](#)

→ [SMD 晶体 \(5*7 6*3.5 5.3.2 4*2.5\)](#)

→ [SMD 钟振 \(5*7 5*3.2\)](#)

[| 新产品\(307.20KHZ晶体\) >> PMX-145\(32.768KHZ\)\(6.9*1.4*1.3\)](#)

[Inquire Now](#)



SURFACE MOUNT IN MOULDED PLASTIC ENCLOSURES

• PMX-145 Series



■ FEATURES:

- Being of the ultra-miniature SMD type ,and thus featuring excellent efficiency in mounting ,the CM130 is ideal for application to high-density circuit boards.
- As it incorporates a heat-resisting packaged cylinder-type crystal ,it features highly stable characteristics-high enough to permit reflow soldering.
- Can be mounted automatically because of the emboss taping used.
- Its low power consumption makes it ideal for application to portable equipment as well as high density ,cellular phone designs.

■ APPLICATIONS:

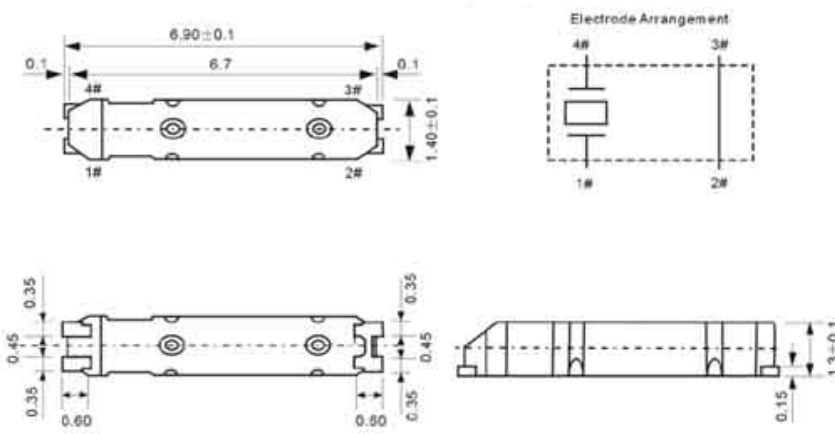
- Permits use as a clock source for communication equipment , AV equipments ,OA equipment ,camera, cellular phones ,paggers and measuring instruments.

■ ELECTRICAL SPECIFICATIONS

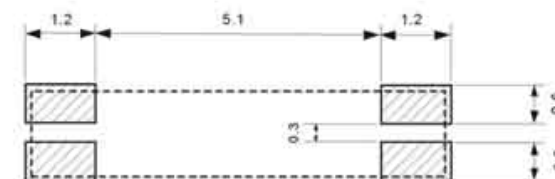
Parameter	Conditions	Specification	Units
Parameter Range		32.768KHZ	fo
Frequency Tolerance	AT 25°C	±20ppm	Δf/ fo
Frequency vs .Temperature characteristics	-10°C~ +60°C	See drawing	Δf/ fo
Turnover Temperature		25°C ±5°C	Tm
Freq. temp .coefficient		-0.034 ±0.006ppm/°C ²	β
Operating Temperature Range		-40°C~ ±85°C	TCRP
Storage Temperature Range		-55°C~ ±125°C	TSTG
Equivalent Series Resistance	AT 25°C	65kΩ MAX	R1
Load Capacitance	Please specify	12.5pF TYP	CL
Motional Capacitance		2.3fF TYP	Co
Shunt Capacitance		1.2pF TYP	C1
Capacitance Ratio		500 TYP	

Capacitance Ratio		520 TYP	
Drive Level		1 μ W MAX	DL
Insulation Resistance	DC 100V \pm 15V	500M Ω MIN	IR
Aging (First year)	25 $^{\circ}$ C \pm 3 $^{\circ}$ C	\pm 3ppm MAX	Δ f/fo
Sealing		1×10^{-2} μ Pa \cdot m ³ /s MAX	
Shock Resistance	\pm 5ppm MAX		
Drop test 3 times on a hard board from 75cm height or shock test of 3000G \times 1/2 sin wave \times 3 directions			

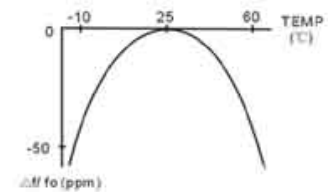
■ Mechanical Dimensions: (mm)



■ Recommended Soldering Pattern: (UNIT=mm)



■ Frequency vs Temperature Curve



[【Print This Page】](#) [【Back】](#)

[Inquire Now](#)



Lead-Free
Products



ISO9001:2000

→ [新产品\(307.20KHZ晶体\)](#)

→ [音叉晶体 \(KHZ晶体\)](#)

→ [高频晶体 \(Mhz晶体\)](#)

→ [SMD 晶体 \(5*7 6*3.5 5.3.2 4*2.5\)](#)

→ [SMD 钟振 \(5*7 5*3.2\)](#)

[音叉晶体 \(KHZ晶体\)](#) >> [PMX-206\(SMD\)](#)

[Inquire Now](#)



TAIZHOU JINGRUI ELECTRONIC CO.,LTD.

PMX-206

■ 特性 Features

- DT206采用表面贴装型的包装：
Surface mount of DT206 with molded package.
- 适用于自动贴装和回流焊接：
Good for automatic mounting and reflow soldering.
- 适用于各种程序包括数字AV、PC装备、移动通信和游戏设备、汽车电子、光学电子、机床电子等。
Suitable applications include digital AV equipment, PC, Mobile Communication, game equipment, available for car electronics, optics electronics, machine tool electronics and so on.

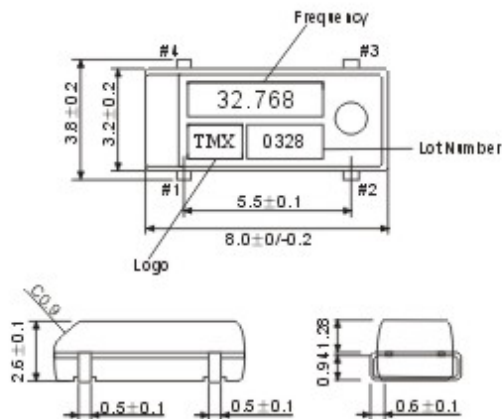


■ 规格 Generic Specification

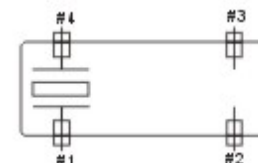
Item	Type	PMX-206
频率范围	Frequency Range	32.768KHz(30~80KHz)
振动模式	Vibration Mode	Fundamental
负载电容	Load Capacitance	12.5pF(可指定, Please specify)
激励电平	Drive Level	1.0±0.2μw
频率精度	Frequency Tolerance	±20PPM(±0.5%)

调整频差 Frequency Tolerance	$\pm 50 \text{ ppm (at } 25^\circ\text{C)}$
谐振电阻 Series Resistance	50K Ω max
拐点温度 Parabolic Temperature	25 \pm 5 $^\circ\text{C}$
温度系数 Temperature Coefficient	-0.04 $\times 10^{-6}/^\circ\text{C}^2$ max
工作温度范围 Operating Temperature Range	-40 \sim +85 $^\circ\text{C}$
保存温度范围 Storage Temperature Range	-55 \sim +125 $^\circ\text{C}$
静电容 Shunt Capacitance	1.25pF Typ.

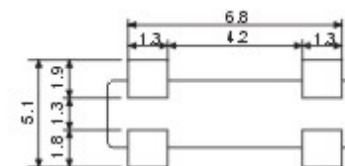
■ Dimensions[mm]



■ Internal Connections



■ Recommended Land Pattern[mm]





Lead-Free Products



ISO9001:2000

→ [新产品\(307.20KHZ晶体\)](#)

→ [音叉晶体 \(KHZ晶体\)](#)

→ [高频晶体 \(Mhz晶体\)](#)

→ [SMD 晶体 \(5*7.6*3.5 5.3.2 4*2.5\)](#)

→ [SMD 钟振 \(5*7.5*3.2\)](#)

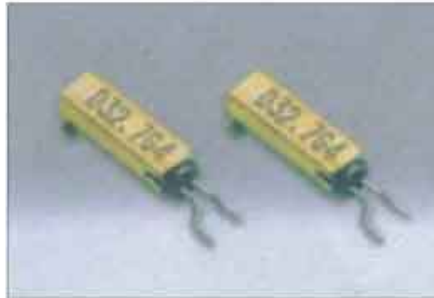
[| 新产品\(307.20KHZ晶体\) >> PMX-145FA\(32.768KHZ\)\(SQUARE\)](#)

[Inquire Now](#)



SURFACE MOUNT IN ENCLOSURES

PMX-145FA Series



Actual size 

FEATURES:

- Jacket version ,miniature SMD tuning fork crystal resonator
- Good for automatic mounting and reflow soldering
- Suitable for various applications ,particularly mobile telecommunications.

ELECTRICAL SPECIFICATIONS

Parameter	Conditions	Specification	Units
Frequency Range		32.768KHZ	Fo
Load Capacitance		Series,7pF,8pF,10pF,12pF,12.5pF	C1
Drive Level		1.0 μ W \pm 0.2 μ W	CL
Frequency Tolerance	AT 25 $^{\circ}$ C	\pm 20ppm, \pm 30ppm	Δ f/ fo
Series Resistance	AT 25 $^{\circ}$ C	50k Ω Typ.(70k Ω max)	Rs
Parabolic Temperature		+25 $^{\circ}$ C \pm 5 $^{\circ}$ C	
Temperature Coefficient		-0.04 \times 10 $^{-6}$ / $^{\circ}$ Cmax	K
Operating Temperature Range		-40 $^{\circ}$ C ~ +85 $^{\circ}$ C	TOPR
Storage Temperature Range		-40 $^{\circ}$ C ~ +85 $^{\circ}$ C	TSTG
Shunt Capacitance		1.05pF Typ	pF

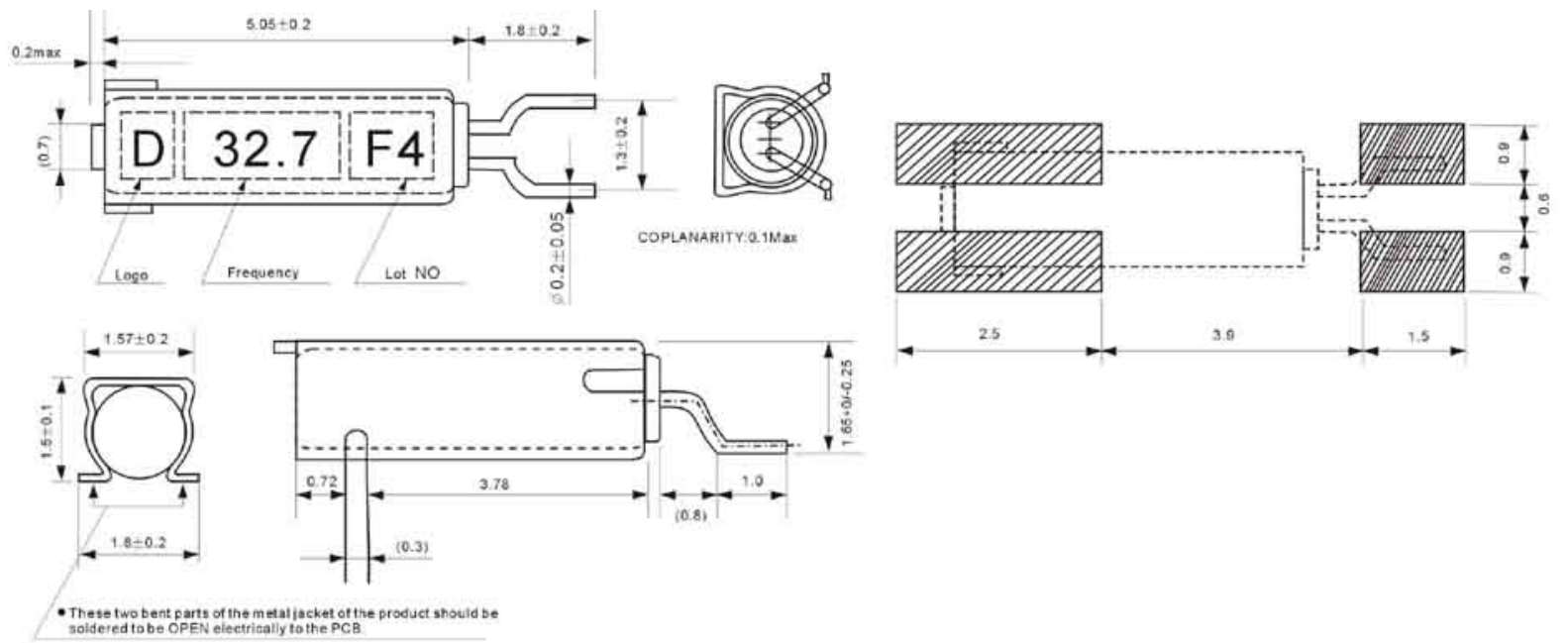
Packing Unit:5000pcs./reel (ϕ 330)

Consult our sales representative for other specifications.

Dimensions [mm]



Recommended Land Pattern [mm]



【Print This Page】 【Back】

Inquire Now



Lead-Free
Products



ISO9001:2000

→ [新产品\(307.20KHZ晶体\)](#)

→ [音叉晶体 \(KHZ晶体\)](#)

→ [高频晶体 \(Mhz晶体\)](#)

→ [SMD 晶体 \(5*7 6*3.5 5.3.2 4*2.5\)](#)

→ [SMD 钟振 \(5*7 5*3.2\)](#)

[新产品\(307.20KHZ晶体\)](#) >> [Psx-4115 Series \(SMD\)](#)

[Inquire Now](#)



TAIZHOU JINGRUI ELECTRONIC CO.,LTD.

PSX-4115

■ 特性 Features

- 微型化封装, 0.7MM高度
Ultra thin package 0.7mm Max height
- 良好的环境可靠性
Excellent performance on environmental capability
- environmental capability
- 回流焊焊接
Designed for reflow soldering
非常适用于贴片化、小型化和高精度化的产品
Good for high density mounting, small and thin equipments



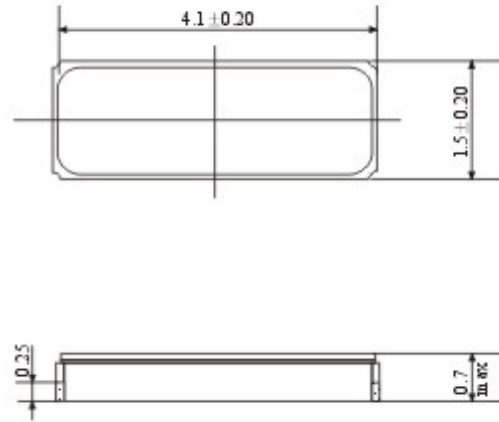
■ 规格 Generic Specifications

Item	Model number	Type	ST-4115
标称频率	Frequency		32.768MHz
工作温度	Operating Temperature Range		-40℃~85℃
储存温度	Storage Temperature Range		-55℃~125℃
激励功率	Drive Level		0.1 μw
温度系数	Temperature Coefficient		-0.035ppm ± 0.008ppm/℃ ²
负载电容	Load Capacitance		1.25PF
谐振电阻	Series Resistance		65KΩ max
动态电容	Motional Capacitance		0.05 TVP

静态电容 Shunt Capacitance	1.1pF TYP
绝缘电阻 Insulating Resistance	500MΩ/100V
老化率 Aging	±3ppm/Year

ITEM: other frequency and Tolerance on request

■ <Dimension in mm>



■ <Recommended Land Pattern>

